



PART NAME

NEMA DIE CAST ALUM. ENCLOSURE W/MTG. BRKT

PART No.

AN-2819-A &amp; AN-2819-AB

REVISION DATE

9-30-15

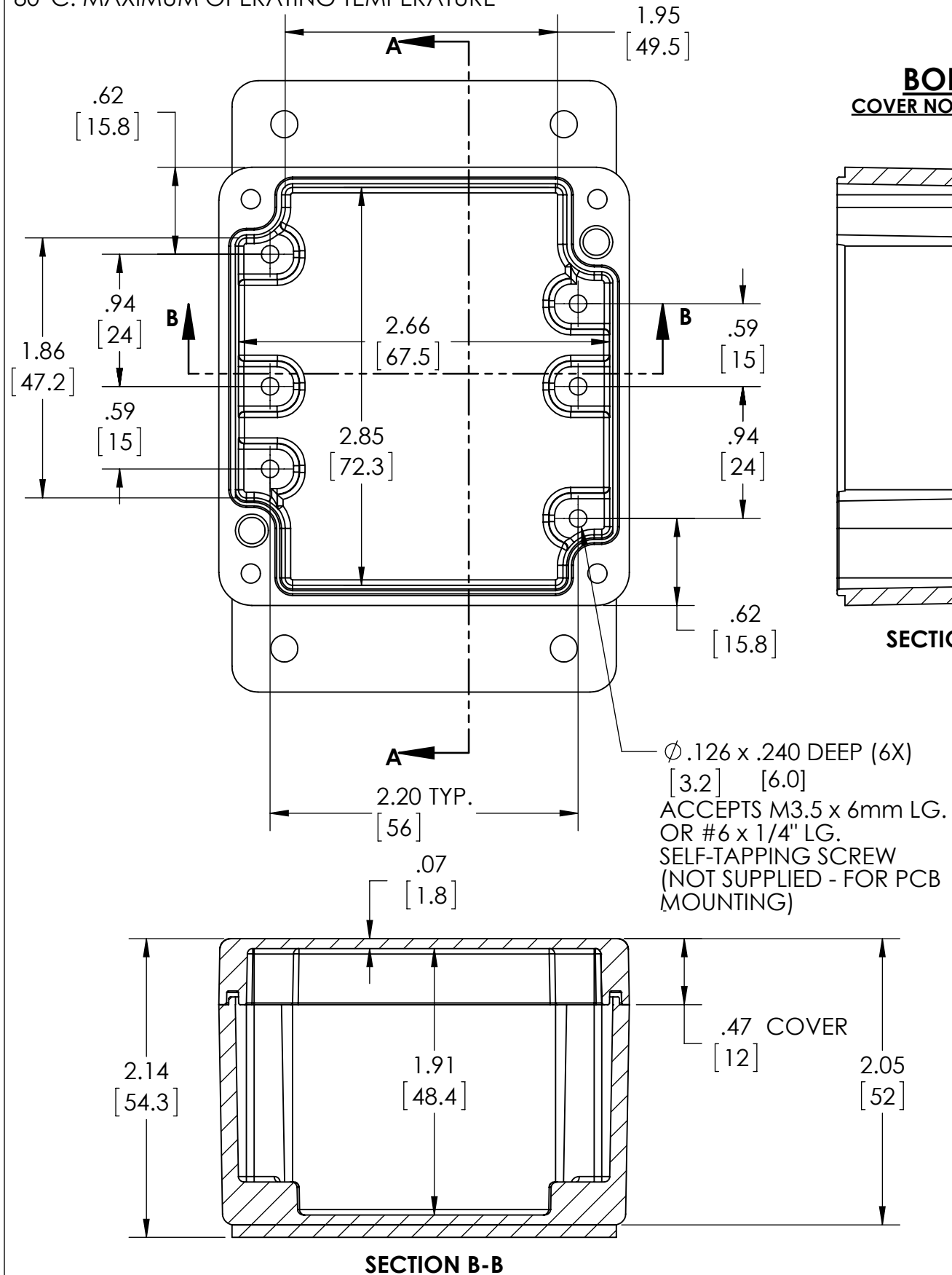
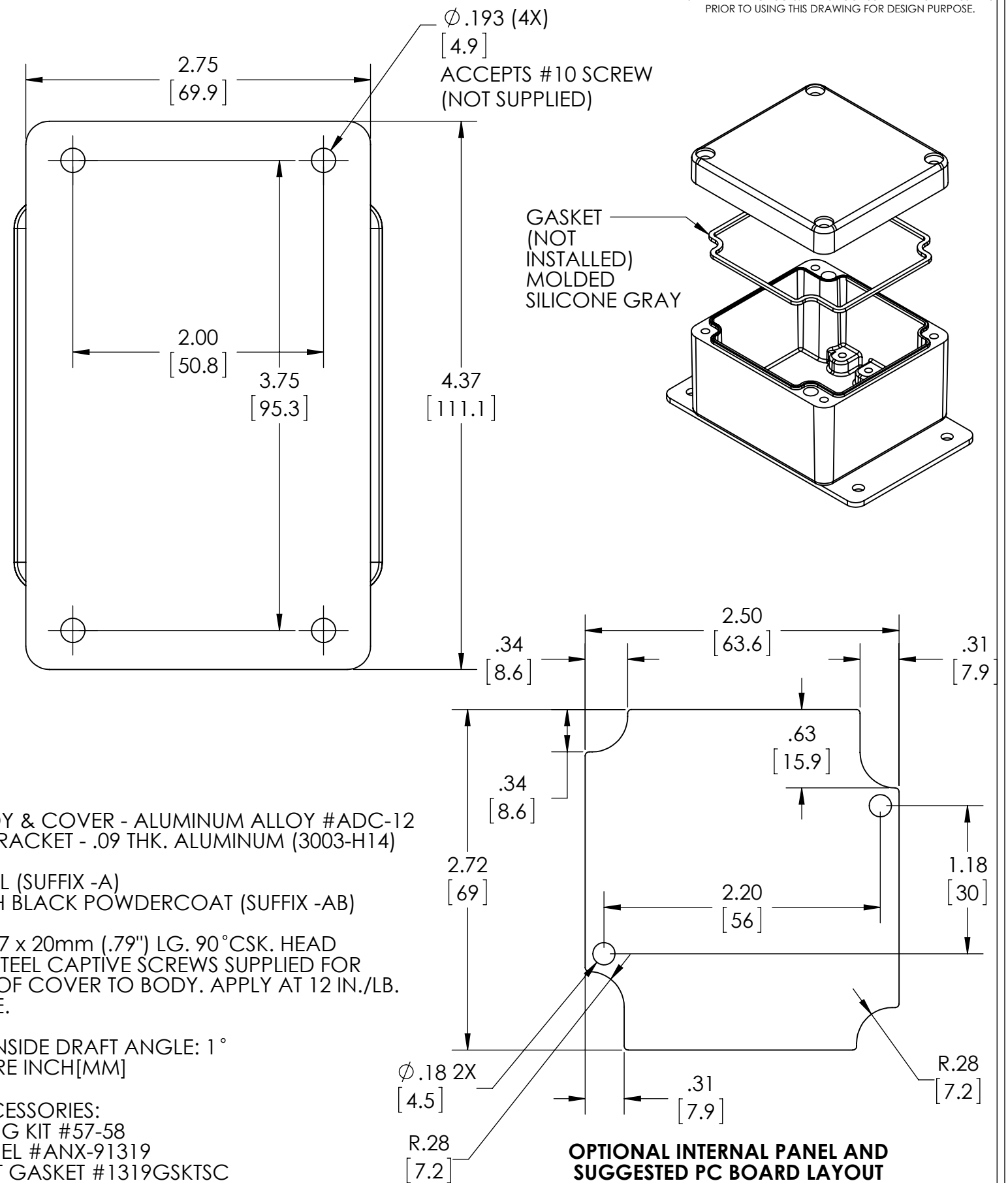
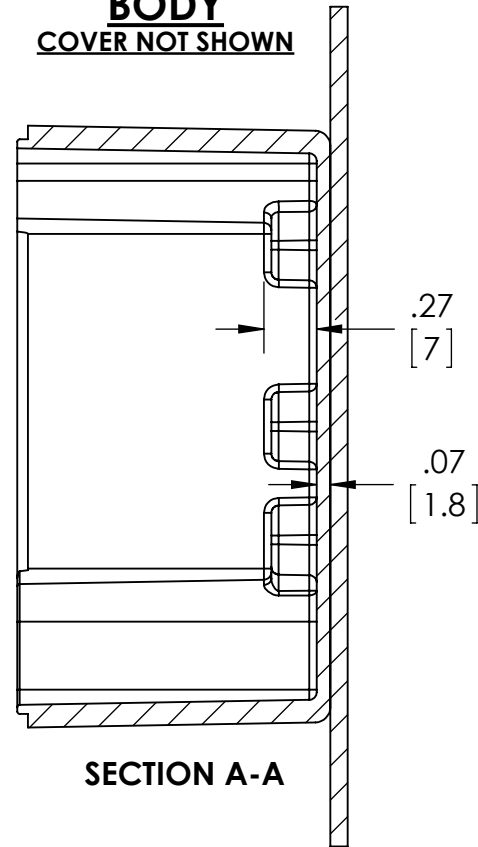
UL LISTED FOR U.S. AND CANADA - FILE #E194432

UPDATE REPLACES PART NO. AN-2819 &amp; AN-2819-B

**DRAWING FOR REFERENCE**  
 WE RESERVE THE RIGHT TO MAKE CHANGES TO OUR  
 STANDARD PRODUCTS. PLEASE CONSULT WITH BUD INDUSTRIES  
 PRIOR TO USING THIS DRAWING FOR DESIGN PURPOSE.

TYPE RATING 4, 4X, 6, 6P, 12 AND 13, COMPARE TO IP-68

80°C. MAXIMUM OPERATING TEMPERATURE

BODY  
COVER NOT SHOWN

MATERIAL: BODY & COVER - ALUMINUM ALLOY #ADC-12  
 MOUNTING BRACKET - .09 THK. ALUMINUM (3003-H14)

FINISH: NATURAL (SUFFIX -A)  
 SMOOTH BLACK POWDERCOAT (SUFFIX -AB)

FOUR (4) M4x0.7 x 20mm (.79") LG. 90°CSK. HEAD  
 STAINLESS STEEL CAPTIVE SCREWS SUPPLIED FOR  
 ASSEMBLY OF COVER TO BODY. APPLY AT 12 IN./LB.  
 OF TORQUE.

OUTSIDE AND INSIDE DRAFT ANGLE: 1°  
 DIMENSIONS ARE INCH[MM]

OPTIONAL ACCESSORIES:  
 PCB MOUNTING KIT #57-58  
 INTERNAL PANEL #ANX-91319  
 REPLACEMENT GASKET #1319GSKTSC